

S3010E

SELF-PROPELLED MINI SCISSOR LIFT



- Compact & lightweight electric mini scissor lift
- Can be driven at full height
- Zero inside turning radius
- Drives through a standard doorway
- Ideal for low-level interior installation & maintenance applications

snorkel[™]
www.snorkellifts.com

SELF-PROPELLED MINI SCISSOR LIFT

S3010E

DIMENSIONS

Max. Working Height	5.00m
Max. Platform Height (A)	3.06m
Platform Size	1.09m x 0.53m
Overall Length (B)	1.26m
Overall Width (C)	0.77m
Stowed Height (D)	1.82m
Ground Clearance (Stowed)	.06m

PERFORMANCE

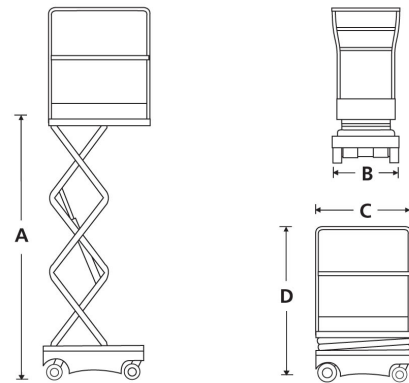
Platform Capacity	215kg
Max. Drive Height	3.06m
Max. Wind Speed	0.0m/s
Max. Drive Speed (Stowed)	2.8km/h
Max. Drive Speed (Elevated)	0.58km/h
Raise/Lower Time	18 / 25 sec
Gradeability	25%
Max. Operating Slope	2°
Inside Turning Radius	0.0m
Outside Turning Radius	1.4m
Tyres	230mm dia. non-marking solid rubber
Parking Brake	2-wheel automatic
Controls	2-axis proportional
Drive System	DC direct drive

POWER

Power Source	(2) 12V 105Ah AGM batteries
Charger	100–240VAC; 50–60Hz Auto, 30amp

WEIGHT

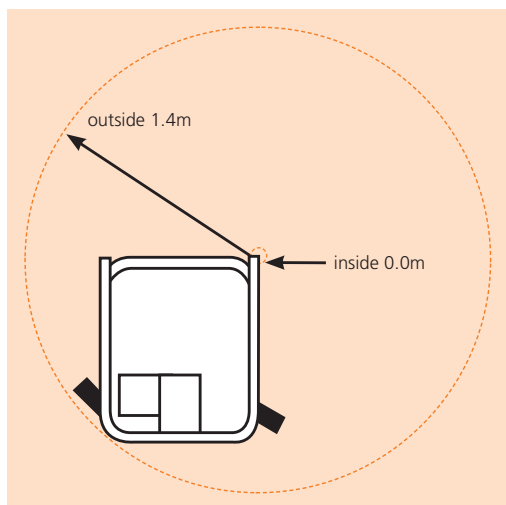
Weight	542kg
--------	-------



STANDARD FEATURES

- Highly-maneuverable skid steer
- Zero inside turning radius
- Saloon-door-style entry gates
- Drives at full height
- Non-marking tyres
- 1 person + equipment capacity indoor
- Tilt & descent alarms
- Proportional point-&-go joystick controls
- Hour meter
- Horn
- Integrated battery charger
- Battery condition indicator
- Flashing amber strobe
- Forklift pockets, crane lifting points
- 2-year parts & labour, 5-year structural warranty
- CE approved

TURNING RADIUS



OPTIONAL FEATURES

- Environmental hydraulic oil
- Special paint colours

snorkel www.snorkellifts.com

Vigo Centre, Birtley Road,
Washington, Tyne & Wear,
NE38 9DA, U.K.

Tel: +44 (0) 845 1550 057
Email: sales.emea@snorkellifts.com