



SERVICE BULLETIN NZ SB124

To: Snorkel Dealers

Attention: Service Managers

Units affected: SP18 & SP22 machines built before serial number NZ040901.

This Bulletin is to inform you of a field modification that may be required on some units.

NOTE: This is not a mandatory modification, it is intended as a field mod to be completed during normal servicing.

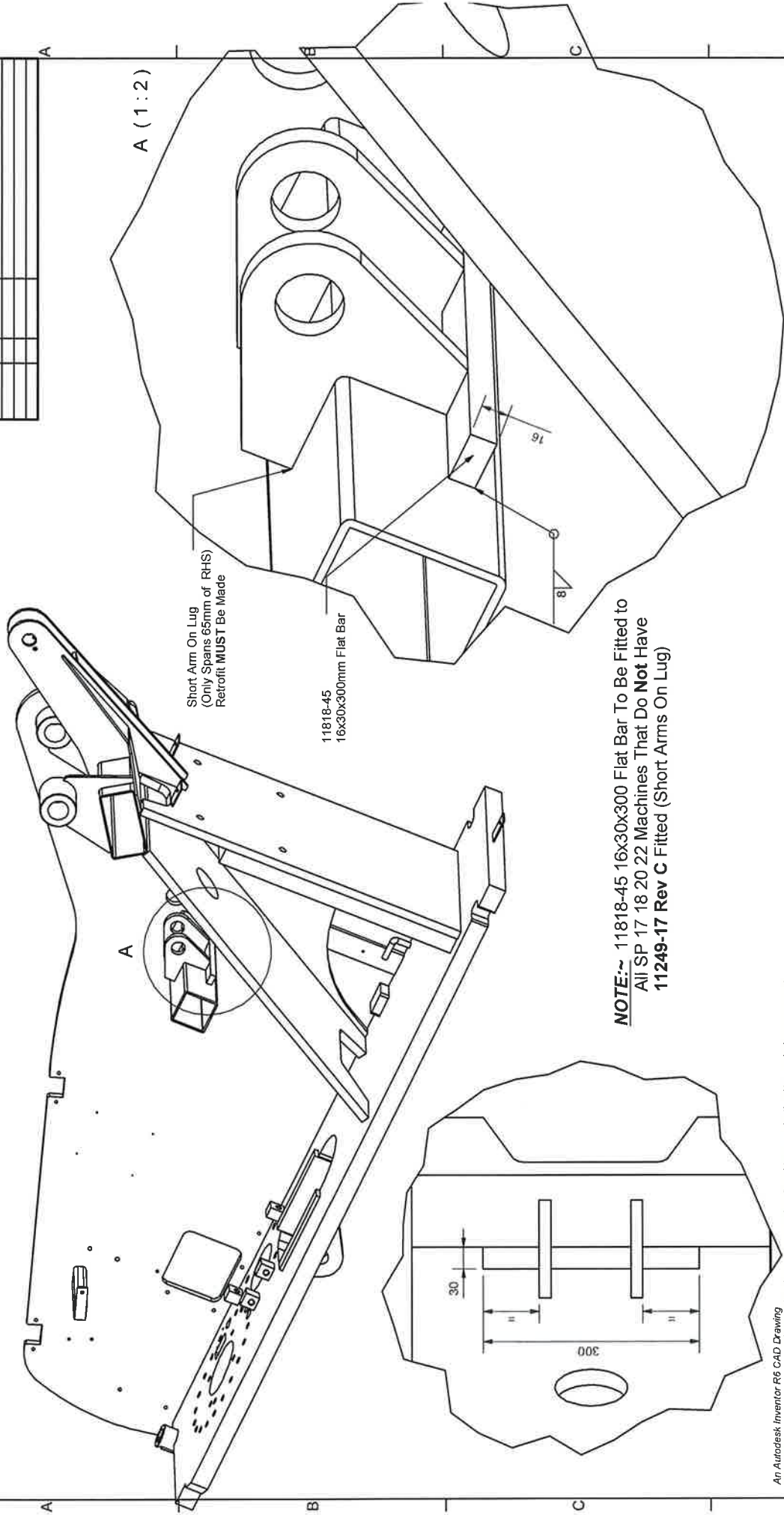
Stress cracks have appeared on some SP18 and SP22 units. These cracks appeared where the "master Level cylinder" is attached to the Column. The factory-approved repair when these cracks are found is to add a "gusset" [part # 11818-45] to the Cylinder mount as shown on the attached drawing.

SP units produced after Sep 2004 have a different cylinder mount and will not require this additional gusset.

If you require any further information, please contact the Snorkel service dept.

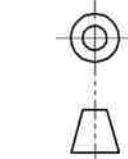
11818 Column Retrofit

CH No.	Rev.	DATE	CHANGE
04-36	A	28/09/04	New Release



An Autodesk Inventor R6 CAD Drawing
 (Proportional accuracy may be altered by reproduction / transmission processes).
REPORT apparent OMISSIONS, ERRORS or READABILITY problems to Engineering Dept. SNORKEL LEVIN.
 Drafting practice & symbolism will generally accord with AS 1100/1/01/201 and ISO equiv. standards.
 Unless otherwise indicated:
 Dimension Units: millimeters
 Std. Tolerances: Whole No. ± 1.0mm
 One Decimal ± 0.2mm
 Two Decimals ± 0.05mm

Angular Units: Degrees
 Surface Finish: Ra
 Orthogonal Projection: 3rd Angle



QUANTITY	MATERIAL SPECIFICATION - SECTION	FINISH	MASS (kg)
SP22			
Sporkel INTERNATIONAL LEVIN NEW ZEALAND <i>Manufacture or reproduction from this drawing requires authority of SNORKEL</i>		DRAWN BY Matt DATE 28/09/2004	CHECKED BY DATE
PART NAME: Column Retrofit			DRAWING No. Shl. Rev 11818 1 A